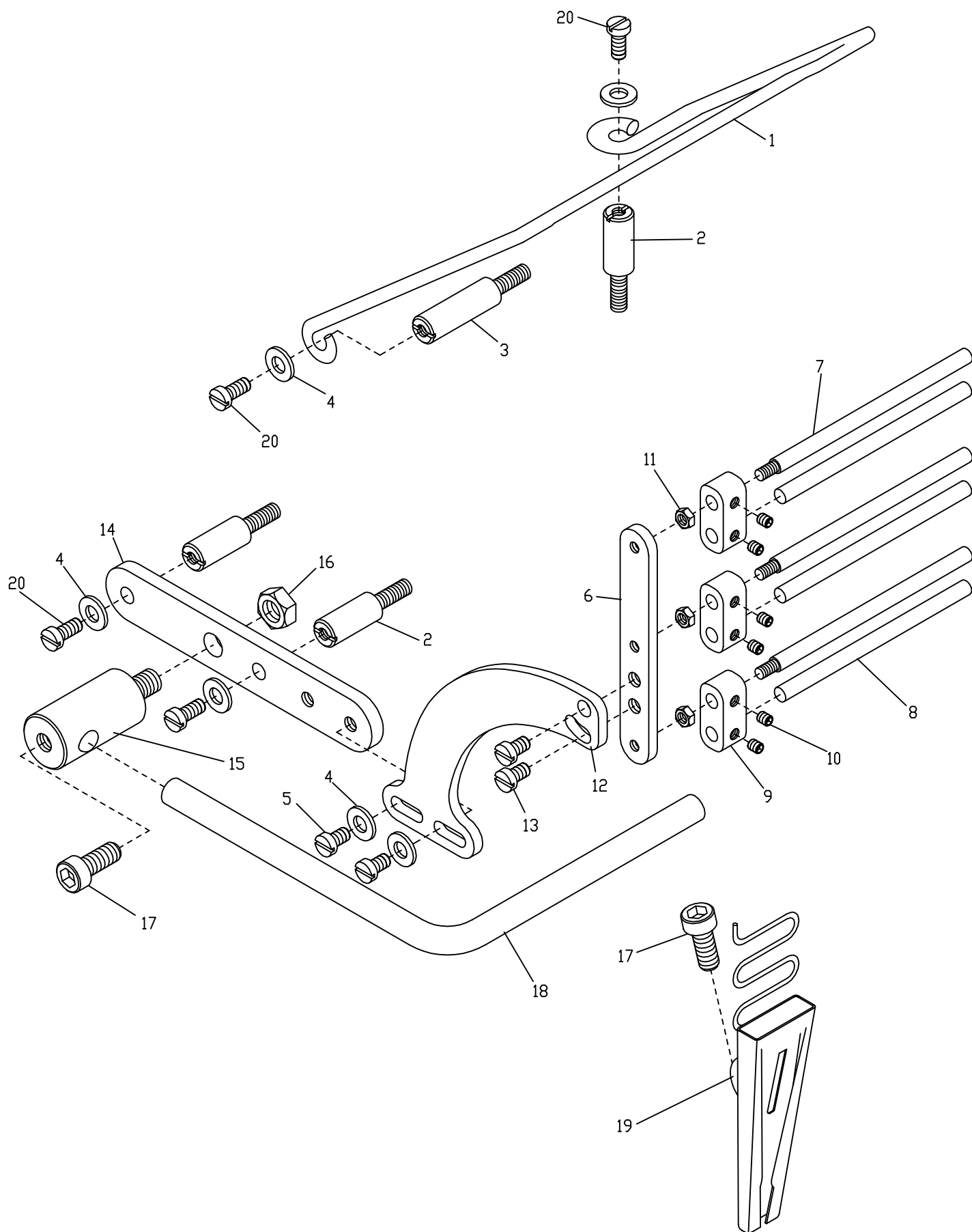


1. TB002 褲面補強帶裝置



1. TB002 褲面補強帶裝置

序號 Ref.No.	物料編號 Parts No.	名稱 Description	單位用量 Amt.Req
1	4TB0000101	帶架 Tape Holder -----	1
2	2210600116	螺椿 Stud -----	3
3	4TB0000103	螺椿 Stud -----	1
4	2100000223	墊圈 Washer -----	6
5	8MC04281207D	螺絲 Screw (CT0102 M4-0.7*8) -----	2
6	4TB0000106	支架 Holder -----	1
7	4TB0000107	導帶桿 Tape Guide -----	3
8	4TB0000108	導帶桿 Tape Guide -----	3
9	4TB0000109	帶位調整塊 Tape Guide Adjusting Holder -----	3
10	8MN03200300A	螺絲 Screw (CT0115 M3-0.5*3) -----	6
11	8MA03200306A	螺帽 Nut (FTB0111 M3-0.5*3) -----	3
12	4TB0000112	支架 Holder -----	1
13	8MB04280507K	螺絲 Screw (FT0235 M4-0.7*5) -----	2
14	4TB0000114	支架 Holder -----	1
15	4TB0000115	螺椿 Stud -----	1
16	8MA06400510A	螺帽 Nut (CT0533 M6-1*5) -----	1
17	8MM05320809A	螺絲 Screw (CT1145 M5-0.8*8) -----	2
18	4TB0000118	支架 Holder -----	1
*19	-----	成形導模 Folder -----	1
20	8MB04281007K	螺絲 Screw (CT1237 M4-0.7*10) -----	4

* : 特註品 Custom-made Item

Note : This page contains the model added to the previous Parts List.